

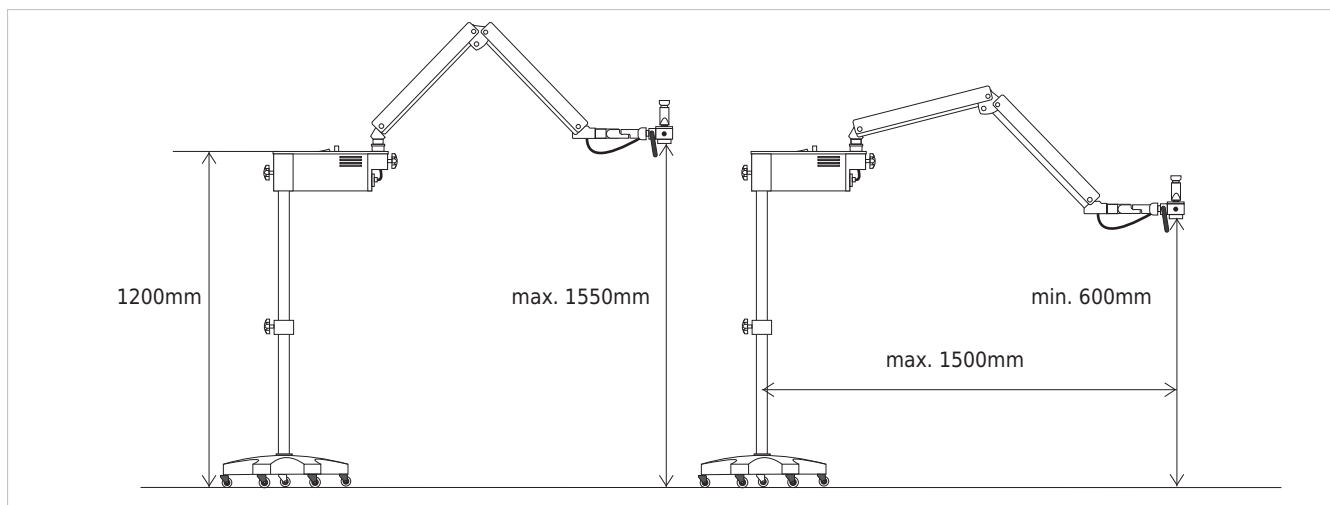


Features:

- Inspection microscope for ear, nose and throat
- Head: binocular, straight
- Eyepieces: 12x, eyepiece diopter adjustment
- Lens focal length: f: 200mm, f: 250mm, f: 300mm, f: 400mm
- Magnification changer: 3-step
- Total magnification f:200 mm lens: 4.7x, 7.4x, 12x, field of view 40 mm, 25 mm, 16 mm
- Fine focus range: 10mm
- Illuminator: coaxial illumination with cold light source fiber-optic cable, brightness adjustable 21V 150W halogen
- Filters: built-in yellow and green filters
- The arm system of rotations can be fixed
- Travel range: from the floor to the height adjustment 600-1550 mm, the column of the projection max. 1500 mm.
- Floor stand design with five-pointed star base with foot brakes
- Accessories: power cable, spare bulb, screw configuration, user manual in English



Objective	F=200mm			F=250mm			F=300mm			F=400mm		
Magnification	12x	7.4x	4.7x	9.6x	6x	3.7x	8x	5x	3x	6x	3.8x	2x
Field of view (mm)	15.8	25.3	40.6	19.7	31.6	50.7	23.6	37.9	60.8	31.5	50.5	81




21V 150W

3
step
magn.

2 years
garantie

www.elektro-optika.hu



ELEKTRO-OPTIKA KFT.
Address: H-2030 Erd, Kaktusz street 22.
Phone: +36-23-520-077
Fax: +36-23-374-965
E-mail: alpha24@t-online.hu

